



**Ayase Europe GmbH**  
Nassautstrasse 28, 65719  
Hofheim/ Wallau Germany

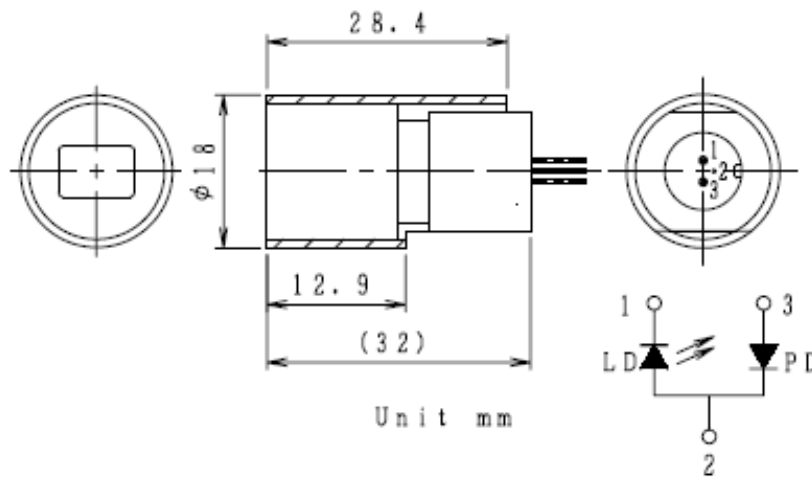
Phone: +49(0)6122-533811  
Fax: +49(0)6122-533941  
Web: www.ayasecorporation.com

DATE: 2010/1/21

## - LINEMAN Data Sheet -

### BLM-63102TL3-160

#### Dimension



#### Data

Item	Typical Value
Wavelength	635 nm
Module Output power	4mW
Operating current	50mA
Operating voltage	2.2 V
Focus distance	1000 mm
Fan angle	64 degree
Line width ( $1/e^2$ )	400 $\mu$ m
Coupling efficiency	60%



**Ayase Europe GmbH**  
 Nassautstrasse 28, 65719  
 Hofheim/ Wallau Germany

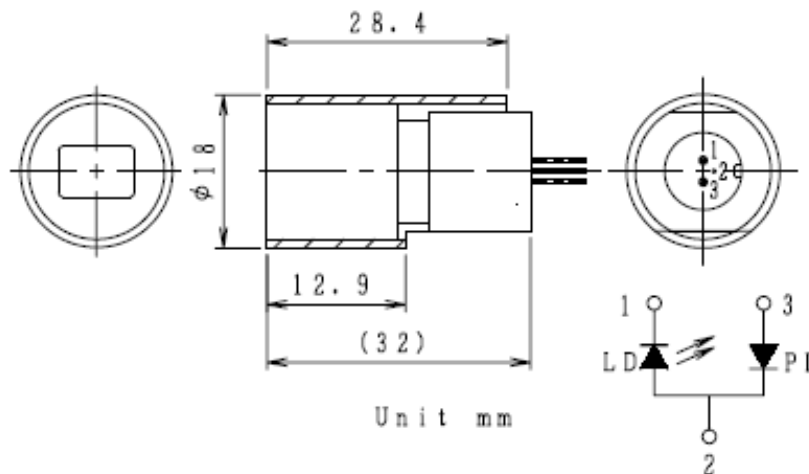
Phone: +49(0)6122-533811  
 Fax: +49(0)6122-533941  
 Web: www.ayasecorporation.com

DATE: 2010/1/21

**- LINEMAN Data Sheet -**

**BLM-63102TL3-360**

**Dimension**



**Data**

Item	Typical Value
Wavelength	635 nm
Module Output power	4.6mW
Operating current	50mA
Operating voltage	2.2 V
Focus distance	3000 mm
Fan angle	65 degree
Line width ( $1/e^2$ )	1mm
Coupling efficiency	65%



**Ayase Europe GmbH**  
Nassautstrasse 28, 65719  
Hofheim/ Wallau Germany

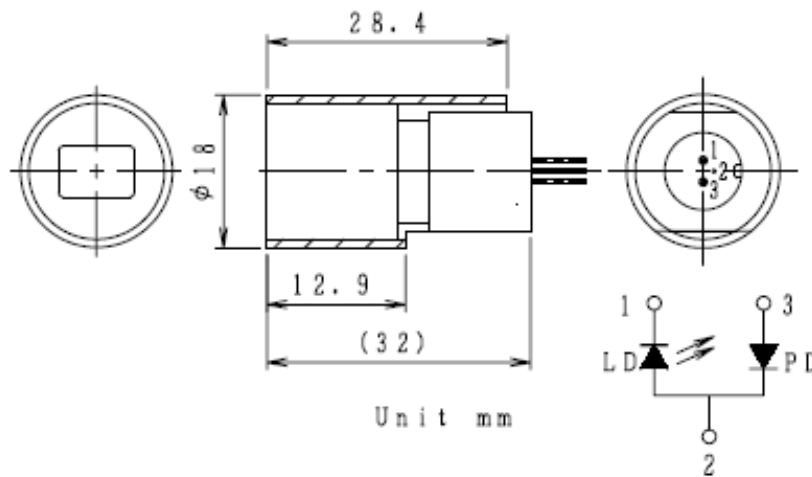
Phone: +49(0)6122-533811  
Fax: +49(0)6122-533941  
Web: www.ayasecorporation.com

DATE: 2010/1/21

## - LINEMAN Data Sheet -

### BLM-63102TL3-B60

#### Dimension



#### Data

Item	Typical Value
Wavelength	635 nm
Module Output power	4.5mW
Operating current	50mA
Operating voltage	2.2 V
Focus distance	100mm
Fan angle	65 degree
Line width (1/e <sup>2</sup> )	75μm
Coupling efficiency	64%